



**Industries Served:**

- Agriculture
- Textile
- Wood

**Features:**

- Established brand name
- Fulfills ISO and ANSI quality requirements
- Rexnord guarantees the achievement of performance requirements

**Benefits:**

- Cost-effective
- Good availability
- Robust quality

**Lubrication:**

- Contains no heavy metals
- Fulfills REACH requirements

# Rexnord Link-Belt Roller Chain

## Approved Performance by Rexnord

The Rexnord Link-Belt Roller Chain is an established brand name in the market. The chain fulfills ISO and ANSI quality standards and is ideal for light and medium duty applications. It's available in several versions like H-Series, Stainless, Straight Plate, etc.

**ISO / ANSI-Standard Roller Chain**

Rexnord Link-Belt Roller Chains are available in ISO and ANSI standard. They conform to the ISO-DIN regulations and BS Guidelines and fulfill the ANSI B 29,1 Guidelines. This makes them suitable for applications in Europe and America.

**Cost-effective**

The quality of Rexnord Link-Belt Roller Chain lies above the average expectations but the price is below average. This makes the chain a good and cost-effective solution for your applications.

**Light and medium duty applications**

The Rexnord Link-Belt Roller Chain is the optimum choice for light and medium duty applications.

**Roller**

Heat-treated, seamless rollers to protect the chain against shock loads

**Inner plate**

The hardened inner plates increase the fatigue resistance of the chain

**Pin**

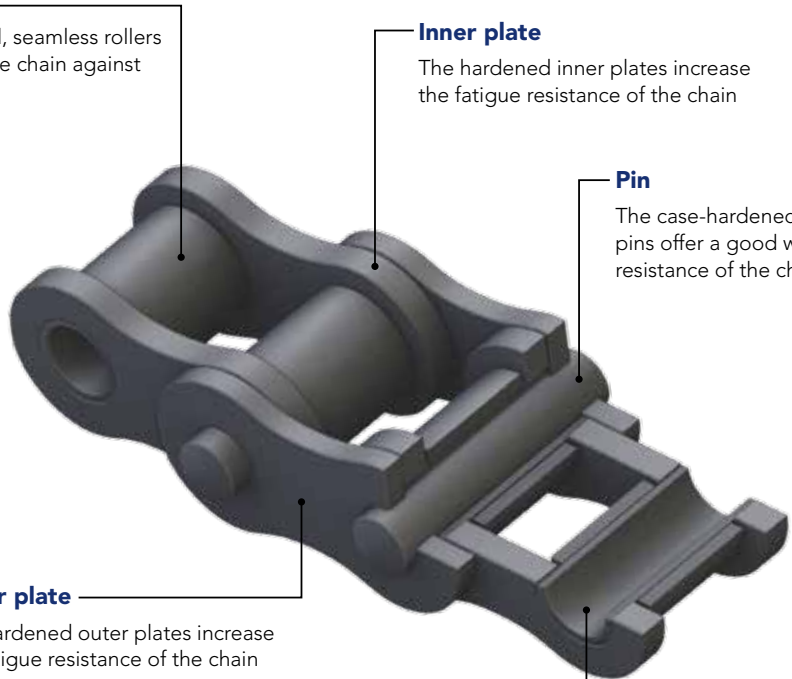
The case-hardened pins offer a good wear resistance of the chain

**Outer plate**

The hardened outer plates increase the fatigue resistance of the chain

**Bush**

The bushes are case-hardened and are together with the pins responsible for the wear resistance

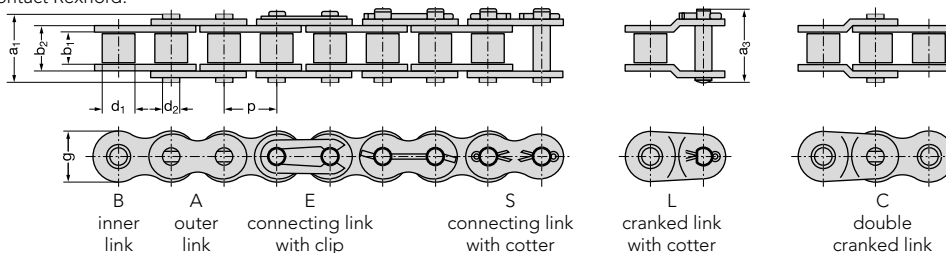


European standard – Rexnord Link-Belt Roller Chain DIN ISO 606 \*

Simplex roller chain

Chain No.	Pitch		Width between inner plates	Roller diameter	Pin diameter	Width over inner link	Plate depth	Transverse pitch	Pin length	Connecting pin length	Bearing area	Required min. tensile strength DIN/ISO	Weight	Loose parts							
	p													$b_1$ min.	$d_1$ max.	$d_2$ max.	$b_2$ max.	$g$ max.	e	$a_1$ max.	$a_3$ max.
	inch	mm	mm	mm	mm	mm	mm	mm	mm	mm	mm	cm <sup>2</sup>	N	kg/m							
04 B-1	0.235	6.0	2.80	4.00	1.85	4.10	5.0	-	7.4	10.3	0.08	3 000	0.1		x	x					
05 B-1	0.315	8.0	3.00	5.00	2.31	4.77	7.1	-	8.6	11.7	0.11	4 400	0.2		x	x					
06 B-1	0.375	9.525	5.72	6.35	3.28	8.53	8.2	-	13.5	16.8	0.28	8 900	0.4		x	x	x				
08 B-1	0.50	12.7	7.75	8.51	4.45	11.30	11.8	-	17.0	20.9	0.50	17 800	0.7		x	x	x				
10 B-1	0.625	15.875	9.65	10.16	5.08	13.28	14.7	-	19.6	23.7	0.67	22 200	0.9		x	x	x	x			
12 B-1	0.75	19.05	11.68	12.07	5.72	15.62	16.2	-	22.7	27.3	0.89	28 900	1.2		x	x	x	x			
16 B-1	1.00	25.4	17.02	15.88	8.28	25.45	21.0	-	36.1	41.5	2.11	60 000	2.7		x	x	x	x			
20 B-1	1.25	31.75	19.56	19.05	10.19	29.01	26.4	-	43.2	49.3	2.96	95 000	3.6						x	x	
24 B-1	1.50	38.1	25.40	25.40	14.63	37.92	33.4	-	53.4	60.0	5.55	160 000	6.7						x	x	
28 B-1	1.75	44.45	30.99	27.97	15.80	46.58	37.0	-	65.1	72.5	7.36	200 000	8.7						x	x	
32 B-1	2.00	50.8	30.99	29.21	17.81	45.57	42.2	-	67.4	75.3	8.12	250 000	10.0						x	x	

\*This table only contains the data for the Simplex Rexnord Link-Belt Roller Chain according to the European Standard. For all available versions please consult the complete catalog or contact Rexnord.



American standard – Rexnord Link-Belt Roller Chain DIN ISO 606

Simplex roller chain

Chain No.	Pitch		Width between inner plates	Roller diameter	Pin diameter	Width over inner link	Plate depth	Transverse pitch	Pin length	Connecting pin length	Bearing area	Required min. tensile strength DIN/ISO	Weight	Loose parts							
	p													$b_1$ min.	$d_1$ max.	$d_2$ max.	$b_2$ max.	$g$ max.	e	$a_1$ max.	$a_3$ max.
	inch	mm	mm	mm	mm	mm	mm	mm	mm	mm	mm	cm <sup>2</sup>	N	kg/m							
40-1	0.50	12.7	7.85	7.92	3.96	11.17	12.0	-	17.8	21.7	0.44	13 900	0.6		x	x	x				
50-1	0.625	15.875	9.40	10.16	5.08	13.84	15.0	-	21.8	25.9	0.70	21 800	1.0		x	x	x				
60-1	0.75	19.05	12.57	11.91	5.94	17.75	18.1	-	26.9	31.5	1.05	31 300	1.5		x	x	x	x			
80-1	1.00	25.4	15.75	15.88	7.92	22.60	24.1	-	33.5	38.9	1.79	55 600	2.6		x	x	x	x			
100-1	1.25	31.75	18.90	19.05	9.53	27.45	30.1	-	41.1	47.2	2.62	87 000	4.0						x	x	
120-1	1.50	38.1	25.22	22.23	11.10	35.45	36.2	-	50.8	57.4	3.93	125 000	5.5						x	x	
140-1	1.75	44.45	25.22	25.40	12.70	37.18	42.2	-	54.9	62.3	4.72	170 000	7.5						x	x	
160-1	2.00	50.8	31.55	28.58	14.27	45.21	48.2	-	65.5	73.4	6.45	223 000	10.2						x	x	

\*This table only contains the data for the Simplex Rexnord Link-Belt Roller Chain according to the American Standard. For all available versions please consult the complete catalog or contact Rexnord.

