

LINK-BELT® SHURLOK® ADAPTER-MOUNTED BALL BEARING

PA 300 SERIES HD



Key Industries:

- Aggregates
- Air Handling
- Forestry
- Mining
- Steel
- Package Handling

Housing Options:

- 2-bolt pillow block
- Standard and high backing height
- 4-bolt flange
- 4-bolt round flange cartridge
- Take-up
- Fixed
- Float +/- 3/16"

Shaft Sizes:

- 1 3/16" through 3 15/16"

Accommodates Commercial Grade Shafting:

- 1"-2" nominal to -0.003"
- 2 1/16"- 3 15/16" nominal to -0.004"

Mounting Type:

- Shurlok Adapter Mount

IMPROVE YOUR OPERATION'S EFFICIENCY AND PROFITABILITY

Improve your operation's efficiency and profitability by reducing installation errors, maintenance costs, and downtime with the PA 300 Series HD SHURLOK Adapter-Mounted Ball Bearing.

This adapter-mounted ball bearing allows for easy installation and removal. Its one-piece housing unit is factory pre-lubricated with pre-set clearances. The tapered adapter sleeve assembly enables easy installation and removal with no field assembly required.

Its positive locking system maintains shaft mounting tightness with a tapered adapter sleeve assembly; delivers 25 percent greater shaft grip and does not seize to the shaft.

GENERAL BEARING INFORMATION

- High temperature options include additional internal clearance, steel retainers and optional greases
- Races — precision-ground and super-finished
- Housings — cast iron
- Grease — multi-purpose lithium complex
- N — seal with flingers
- H — seal with flingers



LINK-BELT® SHURLOK® ADAPTER-MOUNTED BALL BEARING

Super-finished Raceways

Provide a cool running, quiet, high-speed and high-load capacity bearing

Case Carburized Inner Ring

Resists fracture under shock and heavy loads

Rugged One-piece Housing



Positive Locking System

Minimizes vibration; does not require mounting inspections

Tapered Adapter Assembly

- Allows for use of commercial-grade shafting
- Shaft grip reduces shaft damage caused by loose mountings
- Easy removal of the bearing from the shaft— saves on maintenance time and damaged shafts
- Accommodates the use of inexpensive commercial grade shafting

PA 300 Series HD

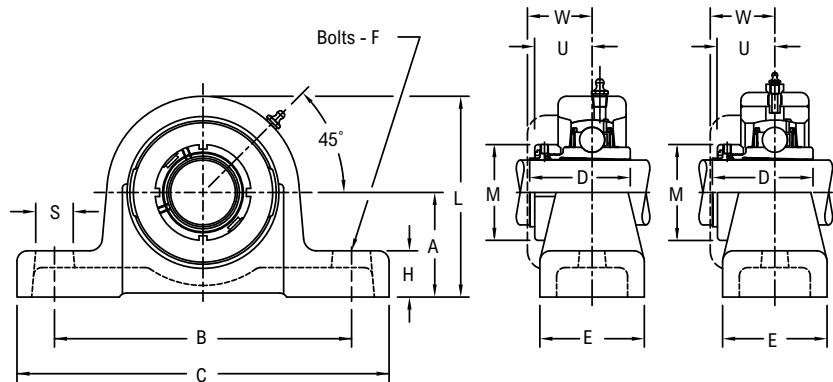
Size Code	Shaft Diameter	Expansion		Fixed		A Base to Centerline Height	B Distance Between Bolt Holes	C	D	E	F Bolts	H	M	S	Total Axial Expansion	Approx. Weight
		Part Number	L	Part Number	L											
319	1 3/16	PEA319	4 1/4	PA319	4 1/16	2 1/8	6 7/16	8 1/4	2 3/4	2 1/4	1/2	15/16	2 5/32	1 1/16	3/16	5.50
323	1 7/16	PEA323	4 11/16	PA323	4 1/2	2 3/8	7 3/8	9 1/4	2 47/64	2 3/8	5/8	1	2 3/8	1 1/8	3/16	7.77
328	1 11/16	PEA327	5 5/8	PA327	5 1/2	2 7/8	8 1/4	10 1/4	3 1/8	3	5/8	1 5/16	2 41/64	1 1/8	3/16	13.35
331	1 15/16	PEA331	6 7/32	PA331	6	3 1/8	8 7/8	11 1/8	3 7/32	3 1/8	5/8	1 3/8	2 55/64	1 1/8	1/4	16.00
335	2 3/16	PEA335	6 13/16	PA335	6 5/8	3 1/2	10 1/4	12 5/8	3 23/64	3 3/8	3/4	1 1/2	3 15/64	1 1/4	9/32	24.00
339	2 7/16	PEA339	7 3/16	PA339	7 1/8	3 5/8	11 1/4	13 3/4	3 27/32	3 1/2	3/4	1 5/8	3 19/32	1 3/8	9/32	27.00
344	2 11/16	PEA343	7 15/16	PA343	7 3/4	4	11 13/16	14 5/8	4 1/4	3 3/4	7/8	1 5/8	4 3/32	1 5/8	7/32	36.00
	2 3/4	PEA344		PA344												
347	2 15/16	PEA347	8 3/8	PA347	8 3/8	4 1/4	12	15 1/8	4 17/32	4	7/8	1 3/4	4 3/32	1 5/8	7/32	44.00
351	3 3/16	PEA351	9	PA351	9	4 9/16	12 1/4	15 3/8	5 1/2	4 5/16	7/8	1 15/16	4 61/64	1 5/8	11/32	55.00
356	3 7/16	PEA355	10 1/16	PA355	9 7/8	5 1/8	12 7/8	16 1/8	5 23/64	5	1	2 1/4	4 61/64	1 5/8	11/32	68.00
363	3 15/16	PEA363	11 1/16	PA363	11 1/16	5 11/16	14 1/2	17 5/16	5 29/32	5	1	2 9/16	5 43/64	1 1/2	11/32	98.00

Link-Belt®

Industrial Powertrain Solutions
Regal Rexnord

Contact us: rexnord.com/contact

regalrexnord.com



The proper selection and application of products and components, including assuring that the product is safe for its intended use, are the responsibility of the customer. To view our Application Considerations, please visit <https://www.regalrexnord.com/Application-Considerations>. To view our Standard Terms and Conditions of Sale, please visit <https://www.regalrexnord.com/Terms-and-Conditions-of-Sale> (which may redirect to other website locations based on product family).

"Regal Rexnord" is not indicative of legal entity. Refer to product purchase documentation for the applicable legal entity. Regal Rexnord, Link-Belt and SHURLOK are trademarks of Regal Rexnord Corporation or one of its affiliated companies. © 2011, 2023 Regal Rexnord Corporation, All Rights Reserved. MCSSP23080E • Form# BR5-004E

RegalRexnord