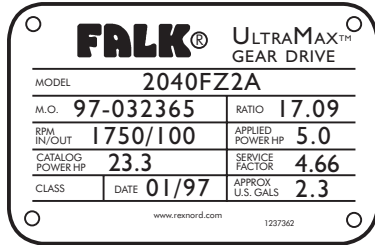


Introduction

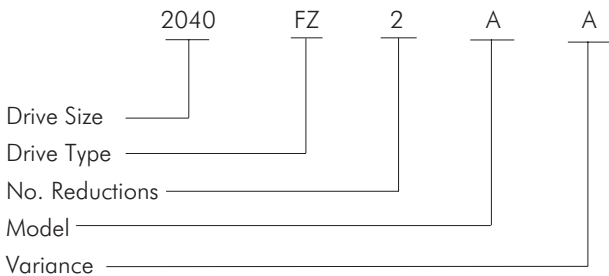
This parts guide is designed to assist in ordering replacements parts for standard double reduction gear drives. Consult Falk for special or modified drives.

- 1. IDENTIFY DRIVE** — Record Drive Model, Ratio and M.O. Number from nameplate.

Sample Nameplate



Gear Drive Identification

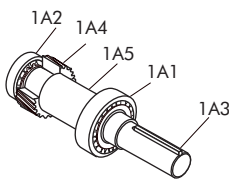


VARIANCE DEFINITIONS:

- Blank = Standard Drive
- A = Drive Equipped With Backstop
- S = Special — Refer to Falk

- 2. IDENTIFY INDIVIDUAL PARTS** — Use exploded view on Page 2 to determine Ref. No. of required parts.

1A ASSEMBLY



Ref. No.	Part Description
1A1	Bearing
1A2	Bearing
1A3	Shaft
1A4	Pinion
1A5	Spacer

NOTE: Replace seals, shims, and gaskets whenever reassembling a drive. Shim-gaskets and fasteners are available only in kits as shown below.

SHIMS & GASKETS — See Kit Ref. No. 100
 FASTENERS — See Kit Ref. No. 130

Corrosion Protection and Storage

CAUTION: Follow guidelines below to avoid damage to parts.

- For domestic or indoor storage, Falk provides standard 24 month protection as boxed or optional 24 month protection for individual parts.
- For export or outdoor storage, Falk provides optional 18 month protection.

CAUTION: This protection does not cover exposure to elements such as standing water, etc.

Ref. No.	Part Description
14	Seal
15	Seal
20	Dipstick
21	Seal cage (Replace with Ref 121)
22	Seal cage (Replace with Ref 122)
28	Shaft Cover
29	Shaft Cover (Replace with Ref 129)
32	Shaft Cover (Replace with Ref 132)
33	Backstop Cage
34	Backstop
41	Spacer
100	Shim-Gasket Kit (Incls Ref 87, 89, 91, 94)
101	Housing Assembly (Incls Ref 110, 113, 114, 100, 130, 20)
120	Backstop assembly (Incls Ref 32, 33, 34, 68, 91)
121	Seal Cage Assembly (Incls Ref 14, 21, 87)
122	Seal Case Assembly (Incls Ref 15, 22, 89)
129	Shaft Cover Kit (Incls Ref 29, 91)
130	Fastener Kit (Incls Ref 59, 60, 66, 68, 73)
132	Shaft Cover Kit (Incls Ref 32, 91)
1A	Shaft Assembly — Incls Ref 1A1 thru 1A5
1A1	Bearing
1A2	Bearing
1A3	Shaft
1A4	Pinion
1A5	Spacer (Size 2040 Ratios 4.9-7.3)
4A	Shaft Assembly — Incls Ref 4A1 thru 4A7
4A1	Bearing
4A2	Bearing
4A4	Pinion & Shaft (Incls Ref 4A7) ★
4A6	Gear
4A7	Locknut
5A	Shaft Assembly — Incls Ref 5A1 thru 5A6
5A1	Bearing
5A2	Bearing
5A3	Shaft
5A6	Gear

★ Drives with Ratios of 1.4 - 4.6 have keyless fit LS pinions; 4A3 and 4A4 must be ordered as an assembly.

Parts Diagram

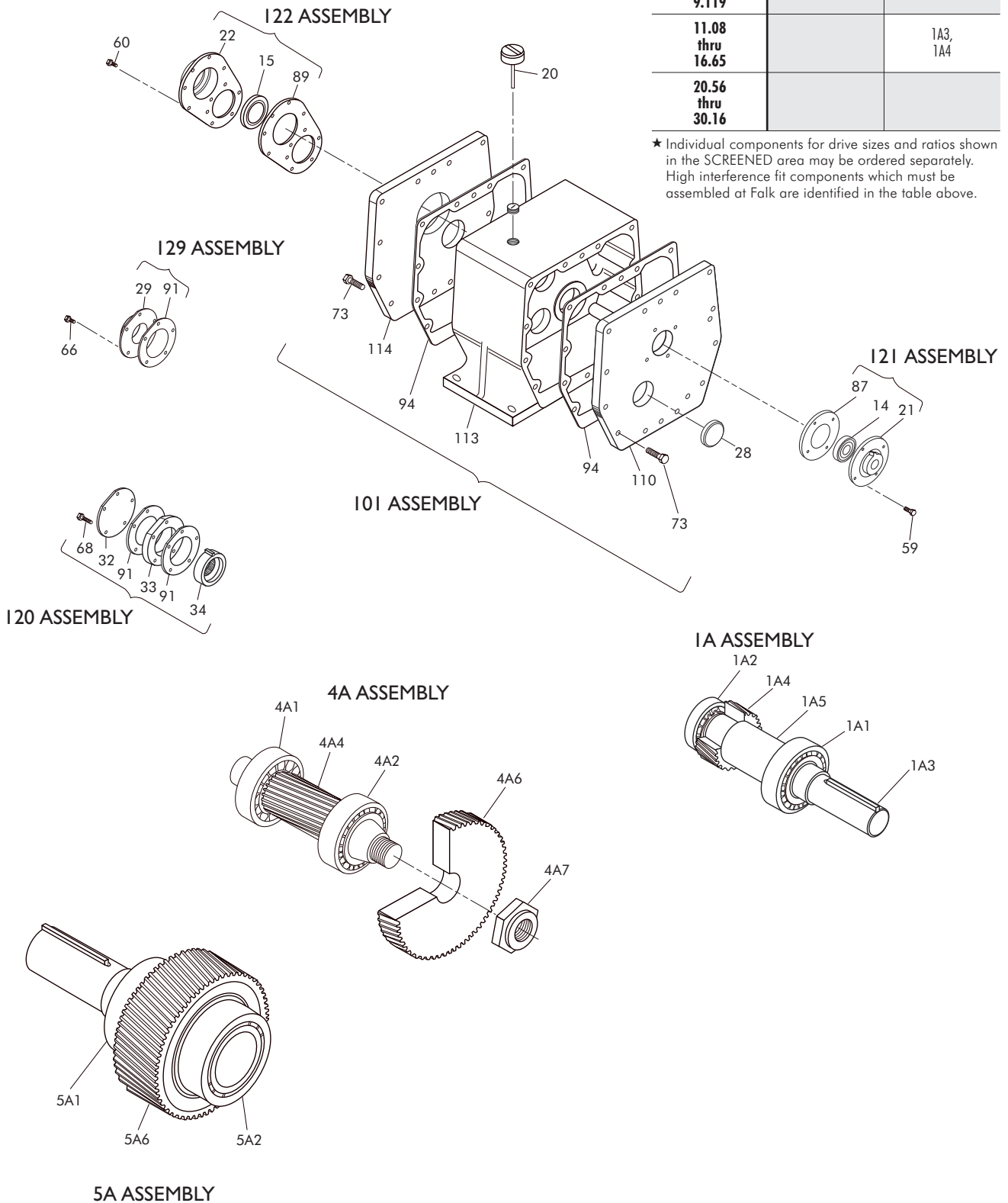


TABLE 1 — 1A Shaft Assembly ★

Ratio	DRIVE SIZE	
	2040F	2050F
1.50 thru 9.119		
11.08 thru 16.65		1A3, 1A4
20.56 thru 30.16		

★ Individual components for drive sizes and ratios shown in the SCREENED area may be ordered separately. High interference fit components which must be assembled at Falk are identified in the table above.

TABLE 2 — Bearings/Falk Part Number

DRIVE SIZE	Reference Number					
	1A1	1A2	4A1	4A2	5A1	5A2
2040	2916265	2916264	2916271	2916271	0921761	0921761
2050	2916290	2916289	2916263	2916288 ★	0921745	0921745

★ Part number shown is for ratios 4.980 – 30.16. For ratios 1.476 – 4.512 part number is 0921442.

TABLE 3 — Bearing Manufacturers' Part Number

Falk Part Number	Manufacturers' Part Number
0921442	TIM3877/3820
0921745	TIM39590/39520
0921761	TIMJM207049/JM207010
2916263	TIM418/414
2916264	TIM1775/1729B
2916265	TIM13687/13620
2916271	TIM25880/25821
2916288	TIM3879/3820
2916289	TIM02473/02420B
2916290	TIM26886/26824

TABLE 4 — Seals/Falk Part Number

DRIVE SIZE	Reference Number	Standard Nitrile Seal	Optional Viton® Seal
2040	14	2916414	2916415
	15	0912775	2916797
2050	14	2916298	2916299
	15	2916297	2916413

TABLE 5 — Seal Manufacturers' Part Number

Falk No.	Manufacturers' No.	Shaft Dia.	Outside Dia.	Width
0912775	NATL470898	2.125	2.879	.375
2916297	CRWAI-26238	2.625	3.628	.375
2916298	CRWAI-16246	1.625	2.506	.313
2916299	CRWAI-16243	1.625	2.506	.313
2916413	CR26204	2.625	3.628	.375
2916414	CRWAI-13569	1.375	2.004	.313
2916415	CRWAI-13581	1.375	2.004	.313
2916797	CRWAI-21091	2.125	2.879	.438