

INTRODUCTION

The following assembly instructions apply to Falk™ OSHA type guards illustrated in Figures 1 and 2. Guard heights may be increased with shims and pedestals as illustrated in Figures 1 thru 4. Sleeve lengths are manufactured to suit the application. Fasteners for securing the guard to the foundation are to be furnished by the installer. Guard shapes, sizes, and components vary with specific requirements. The general instructions on Page 2 apply to most guard types. Refer to the drawing furnished with the order for the guard locating dimensions.

WARNING: Lock out power source and remove all external loads from unit before servicing unit or accessories.

Consult applicable local and national safety codes for proper guarding of rotating members.

Where heat is generated by the slipping action of fluids or friction linings in couplings, clutches, etc., use guards with louvered sides to permit air circulation and heat dissipation.

NOTE: The portion of the fluid coupling guard in line with the fusible plugs must be of solid construction.

TYPICAL GUARD ASSEMBLIES

SLANT TOP

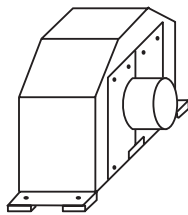


Figure 1
GUARD WITH
OR W/O SHIMS

FLAT TOP

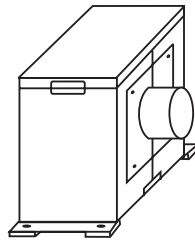


Figure 2
GUARD WITH
OR W/O SHIMS

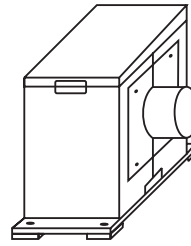
 FLAT TOP GUARDS
(OR SLANT TOP)


Figure 3
GUARD WITH
BOTTOM PLATE & SHIMS

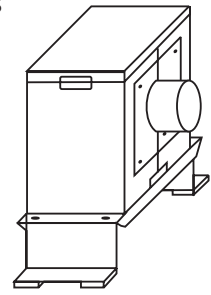


Figure 4
GUARD
WITH PEDESTAL

FLAT AND SLANT TOP GUARD PARTS

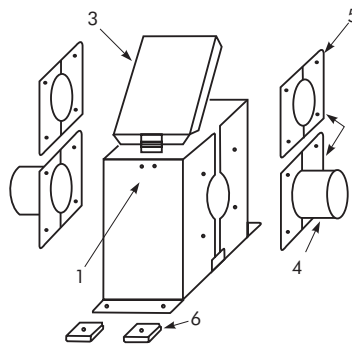


Figure 5 FLAT TOP GUARD

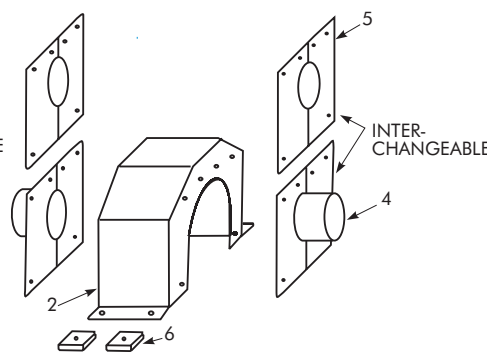


Figure 6 SLANT TOP GUARD

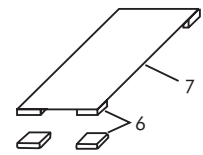


Figure 7 BOTTOM PLATE

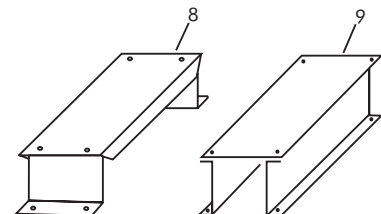


Figure 8 PEDESTALS

PART NUMBERS

- | | |
|--------------------------|-------------------------|
| 1. Guard Half (Flat Top) | 6. Shims (1" maximum) |
| 2. Guard (Slant Top) | 7. Bottom Plate |
| 3. Cover | 8. Pedestal (Design #1) |
| 4. Sleeve | 9. Pedestal (Design #2) |
| 5. Enclosure Plate | |

PRELIMINARY STEPS

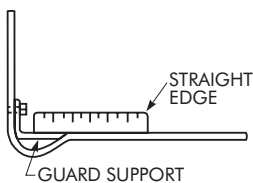


Figure 9

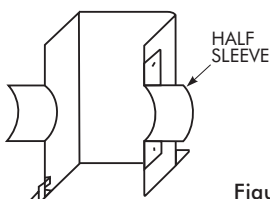


Figure 10

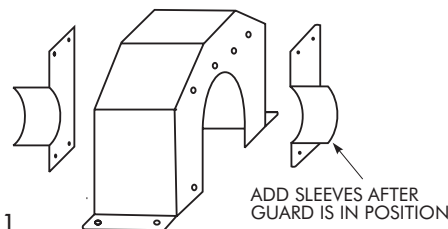


Figure 11

Bolt guard support to Sizes 1000 thru 1300FZ motor brackets when using 364 and larger motor frames. Use $\frac{5}{16}$ -18 UNC x $\frac{5}{8}$ fasteners.

Bolt half sleeves (or enclosure plate) to Flat top half guard (Figure 10) before installation and after installation to Slant Top guard (Figure 11). Bolt other half sleeves to guards after final alignment.

GUARD INSTALLATION (Flat Top Guard Illustrated)

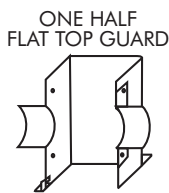


Figure 12

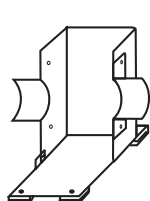


Figure 13

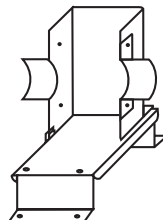


Figure 14

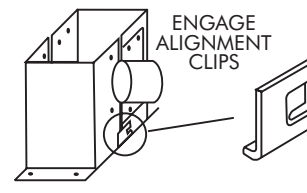


Figure 15

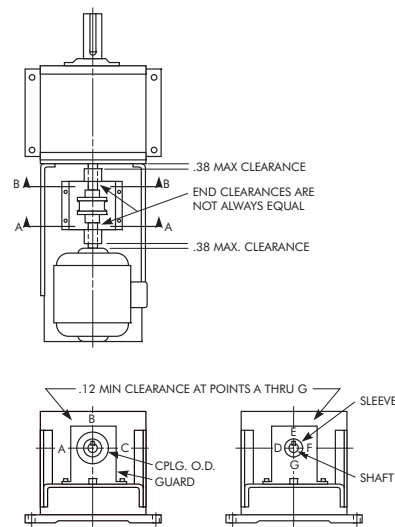
Flat Top Guard Installation Position one-half of guard (and components) as illustrated in Figures 12, 13, or 14. Position the other half of guard (without half sleeves) as illustrated in Figure 15. Engage alignment clips.

Slant Top Guard Installation Position the guard (and components) as illustrated in Figures 12, 13, or 14 for flat top guard and then bolt the half sleeves shown in Figure 11 (or closure plate) into position.

GUARD ALIGNMENT

Flat and Slant Top Guard Alignment

1. Position guard within the limits shown in Figures 16, 17, and 18 for all applications.
2. Scribe foot mounting holes from the guard or pedestal on the mounting surface and drill (or drill and tap) bolt holes into the mounting surface. When shim blocks are furnished over .25" thick, scribe the outline of the shim blocks on the mounting surface. Then remove all parts except the shims and use them as a guide for scribing the mounting holes.
If the guard mounting holes overlap slots or hand holes in the mounting surface, relocate the mounting holes if possible, or bolt an oversize bottom plate over the holes and then mount the guard to the plate.
3. Bolt the guard and pedestal to their mounting surfaces.
4. Recheck clearances. Reposition guard if necessary.
5. Assemble remaining sleeve halves or enclosure plates per Figures 5 and 6 on Page 1.
6. Bolt cover to pre-drilled flat top guard half per Figure 5 using $\frac{1}{4}$ -20 UNC x $\frac{7}{16}$ " screws.



POSITION GUARD FOR EQUAL CLEARANCE BETWEEN COUPLING O.D. & GUARD AT POINTS A & C

VIEW A-A
Figure 16

POSITION GUARD FOR EQUAL CLEARANCE BETWEEN SHAFT O.D. & SLEEVE I.D.

VIEW B-B
Figure 17